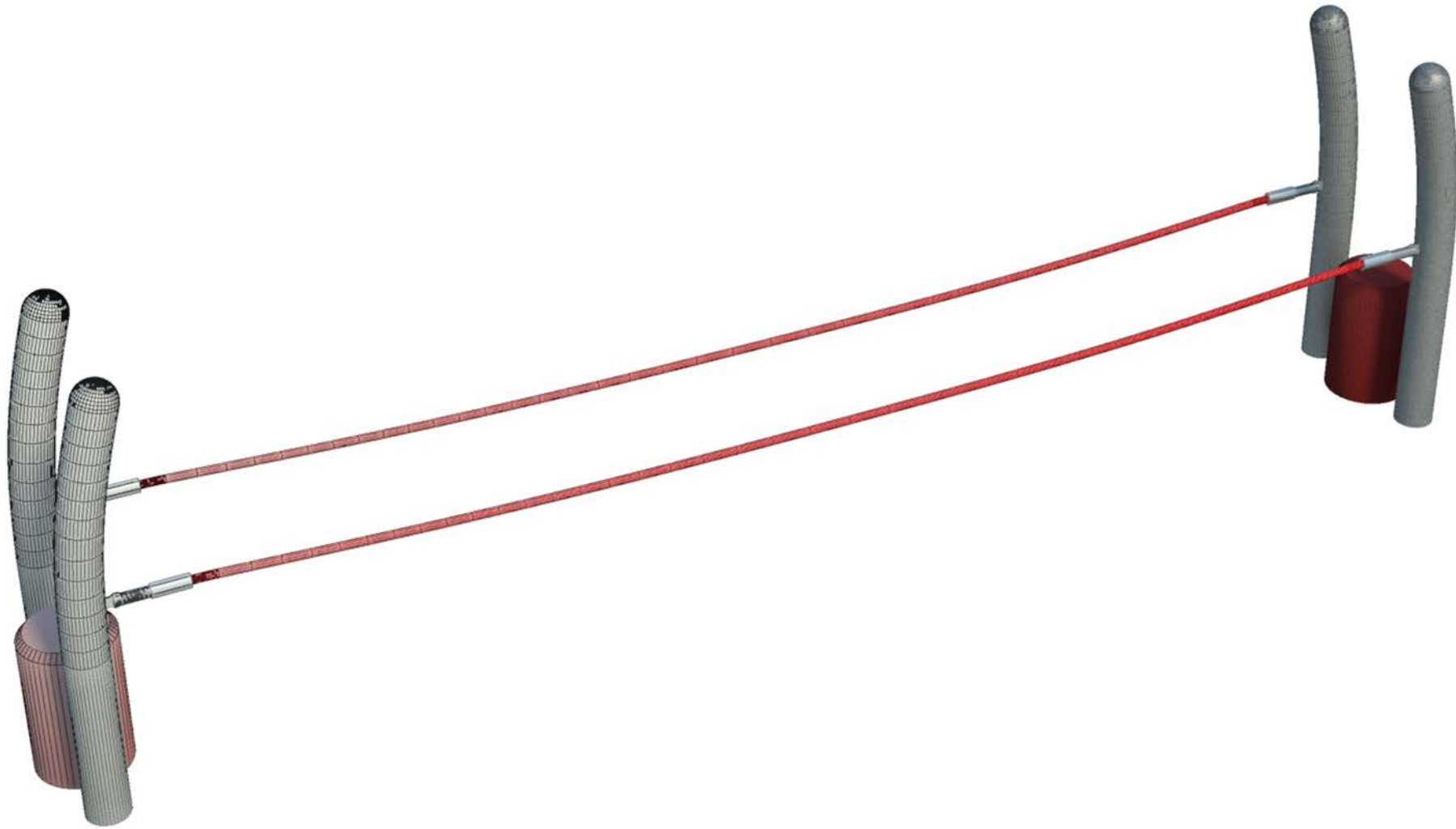


NRG Okavango Swamp NG203S



1 **23 kg!** **78803026**
4 No
Cape Horn Post (Type A)

A long, thin metal post with a mounting bracket at one end and a small hook at the other. The weight '23 kg!' is circled in orange.

2 **78805060**
2 No
3773mm Long Foot Rope

A coiled rope with two metal end fittings.

3 **RYBL400**
2 No
400mm Red Bollard

A short, thick cylindrical bollard.

4 **803704**
2 No
400mm Bollard Fix Post

A metal post with a triangular mounting plate at one end and a small hook at the other.

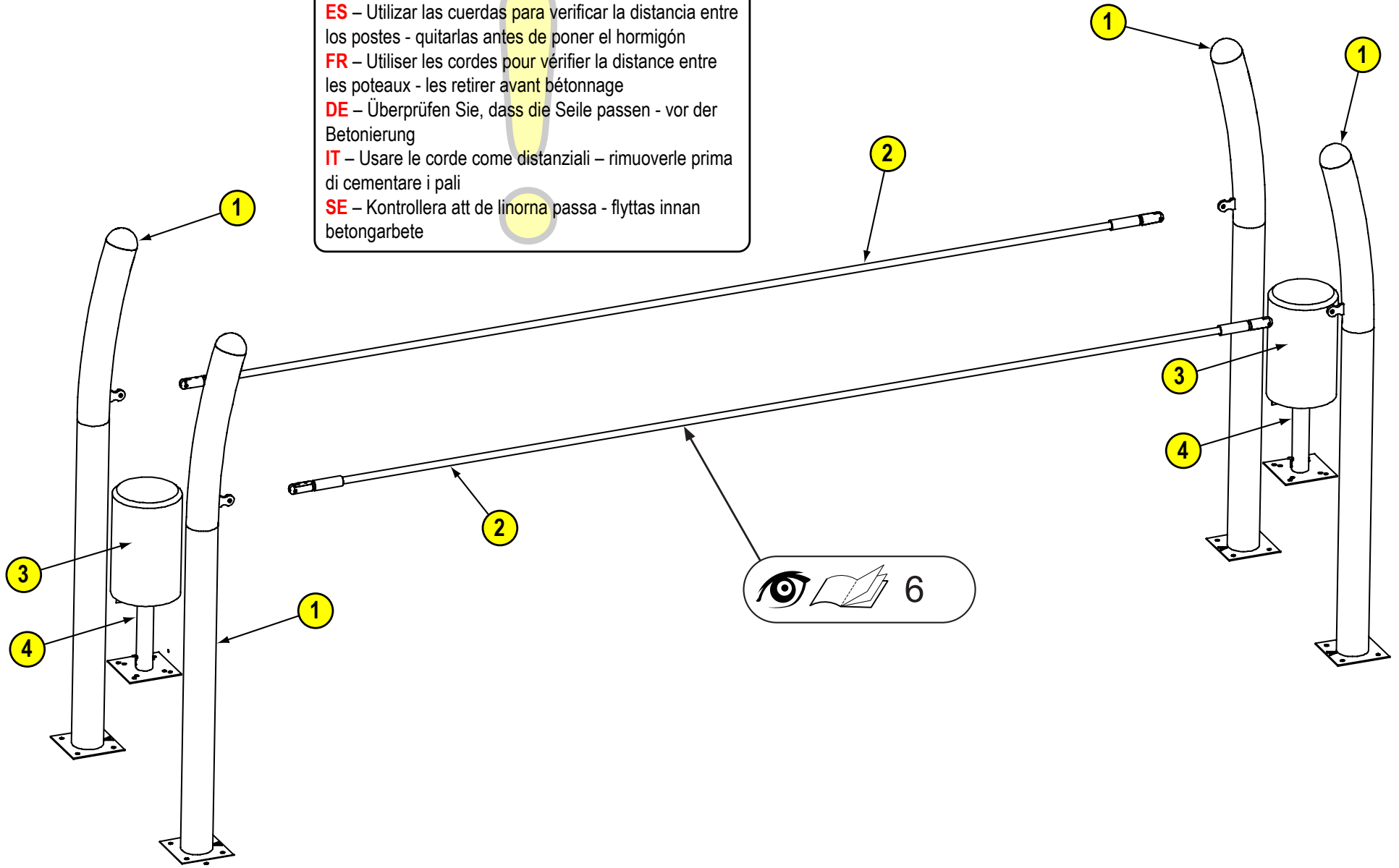
5 **RYADHBK**
1 No
Bollard Adhesive
<http://www.alansonsuk.com/downloads.asp>

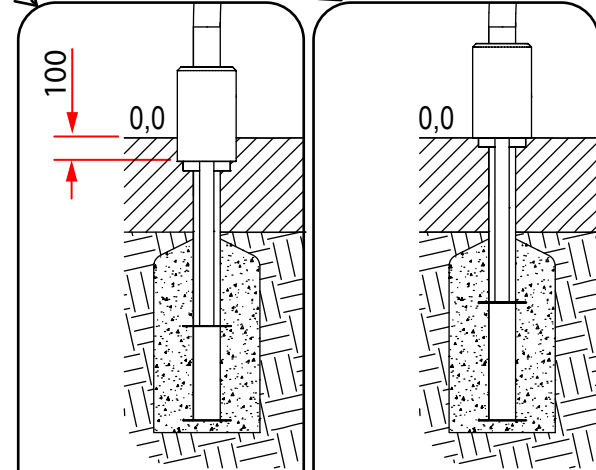
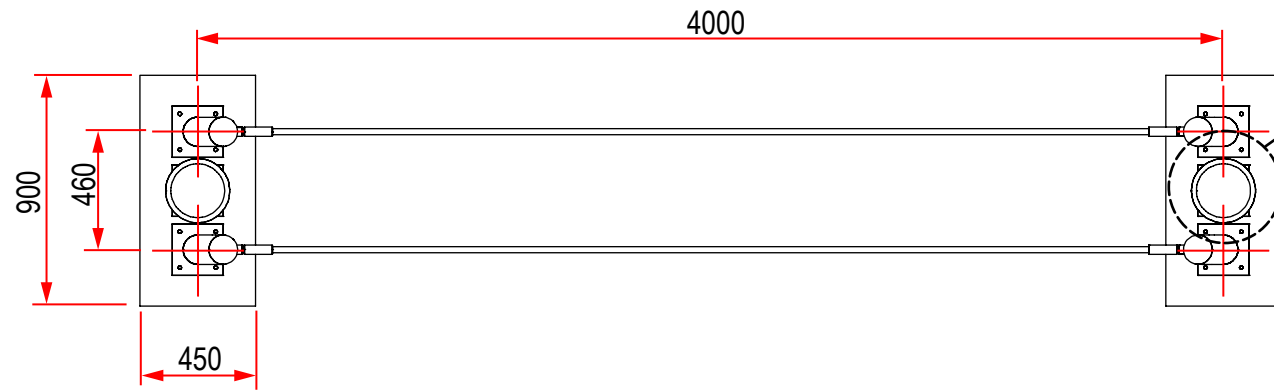
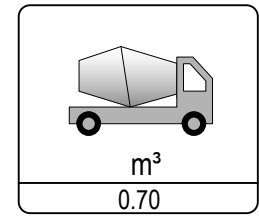
A tube of adhesive with a nozzle and a mixing applicator.

6 **950040**
1 No
High Strength Thread Lock

A small bottle of thread lock compound with a cap.

GB - Verify ropes fit – remove before concreting
ES – Utilizar las cuerdas para verificar la distancia entre los postes - quitarlas antes de poner el hormigón
FR – Utiliser les cordes pour vérifier la distance entre les poteaux - les retirer avant bétonnage
DE – Überprüfen Sie, dass die Seile passen - vor der Betonierung
IT – Usare le corde come distanziali – rimuoverle prima di cementare i pali
SE – Kontrollera att de linorna passa - flyttas innan betongarbete





S2 (50mm)
≥C20-25

7 x 24h

101

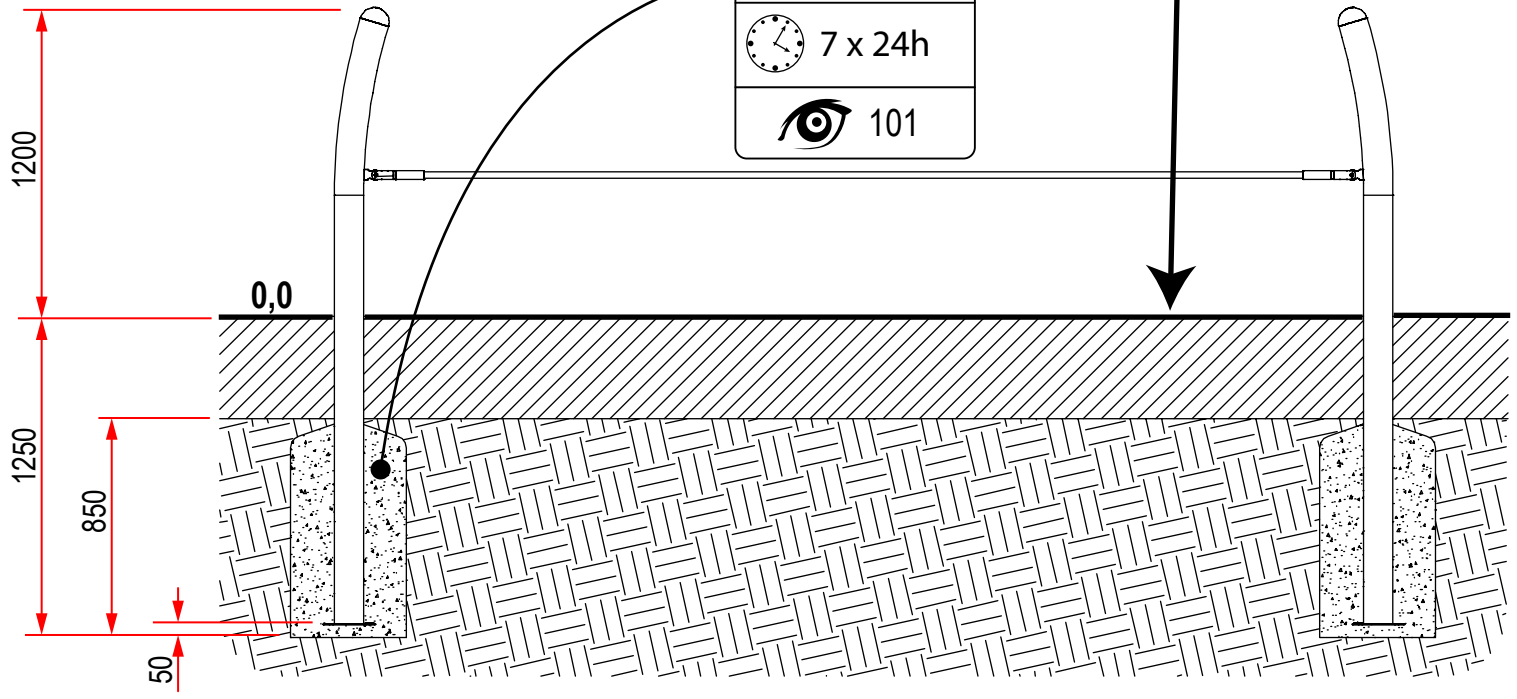
EN1176
H=0.6m

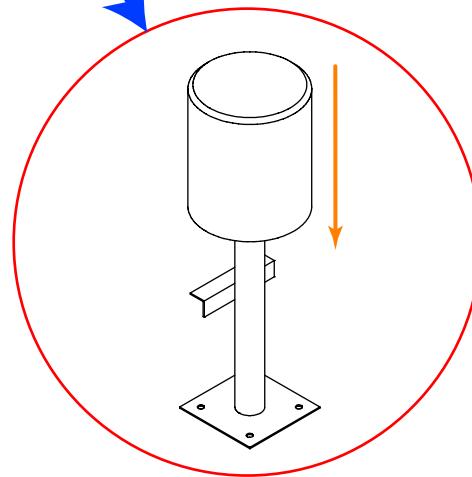
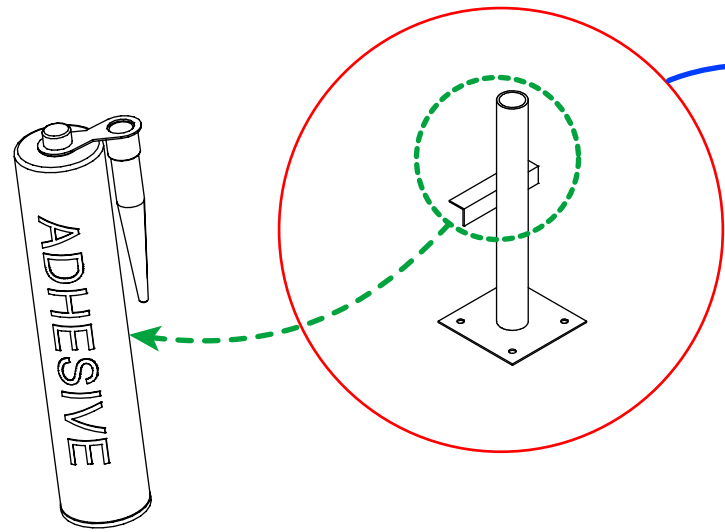
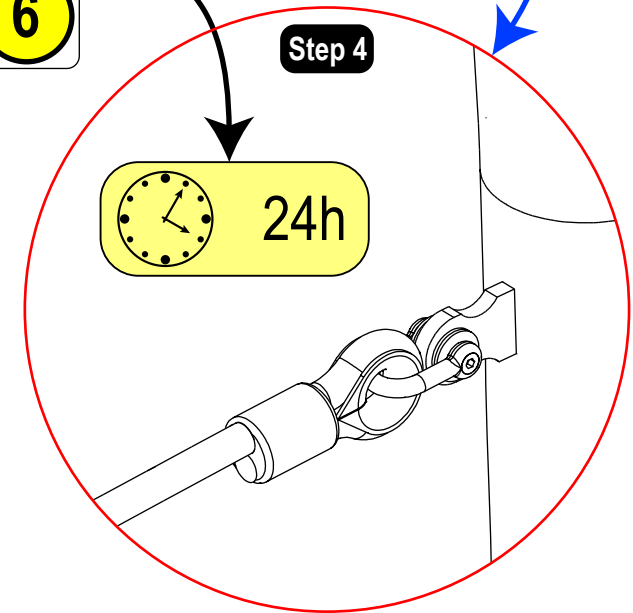
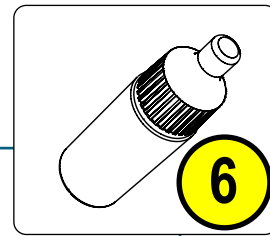
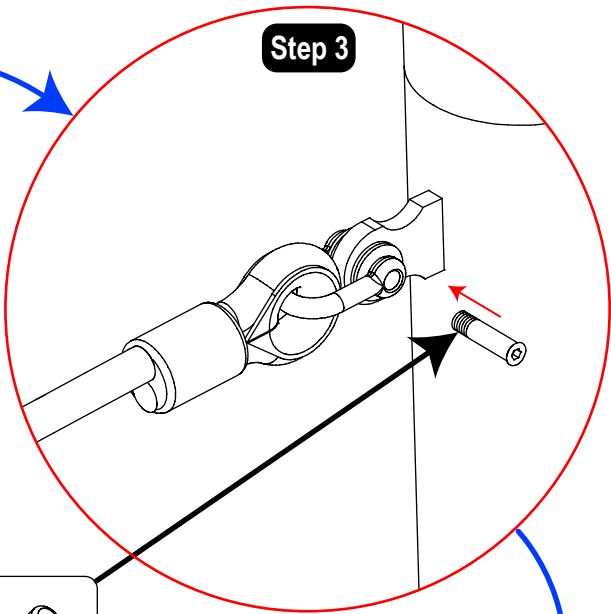
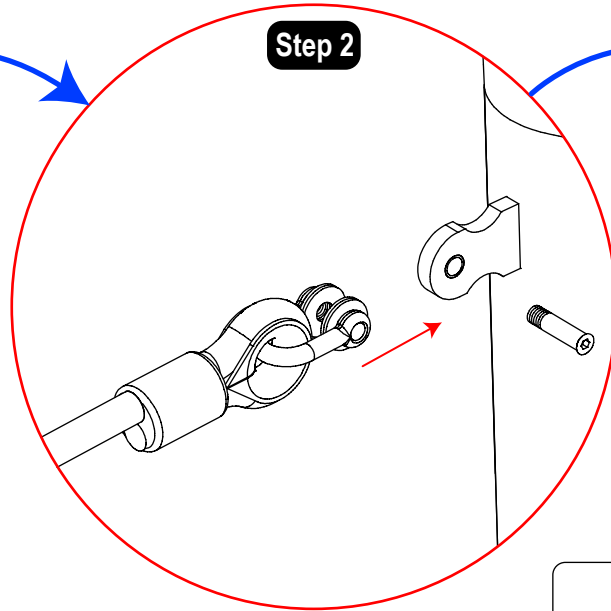
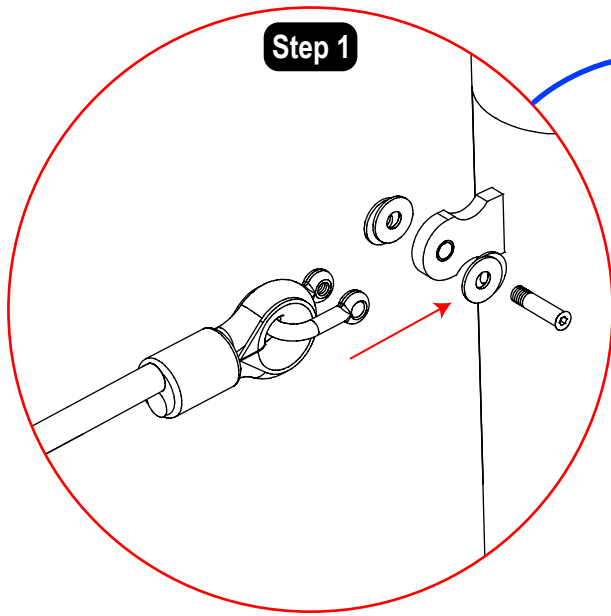
144
TYPE 1
Sand

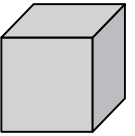
144
TYPE 2
Bark

144
TYPE 3
Synthetic

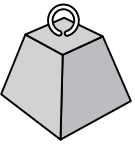
144
TYPE 5
Grass mat



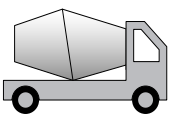




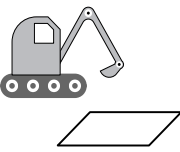
LxWxH (m)
4.25 x 0.58 x 1.20




kg
151



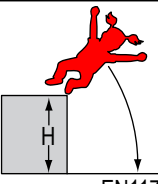
m³
0.70



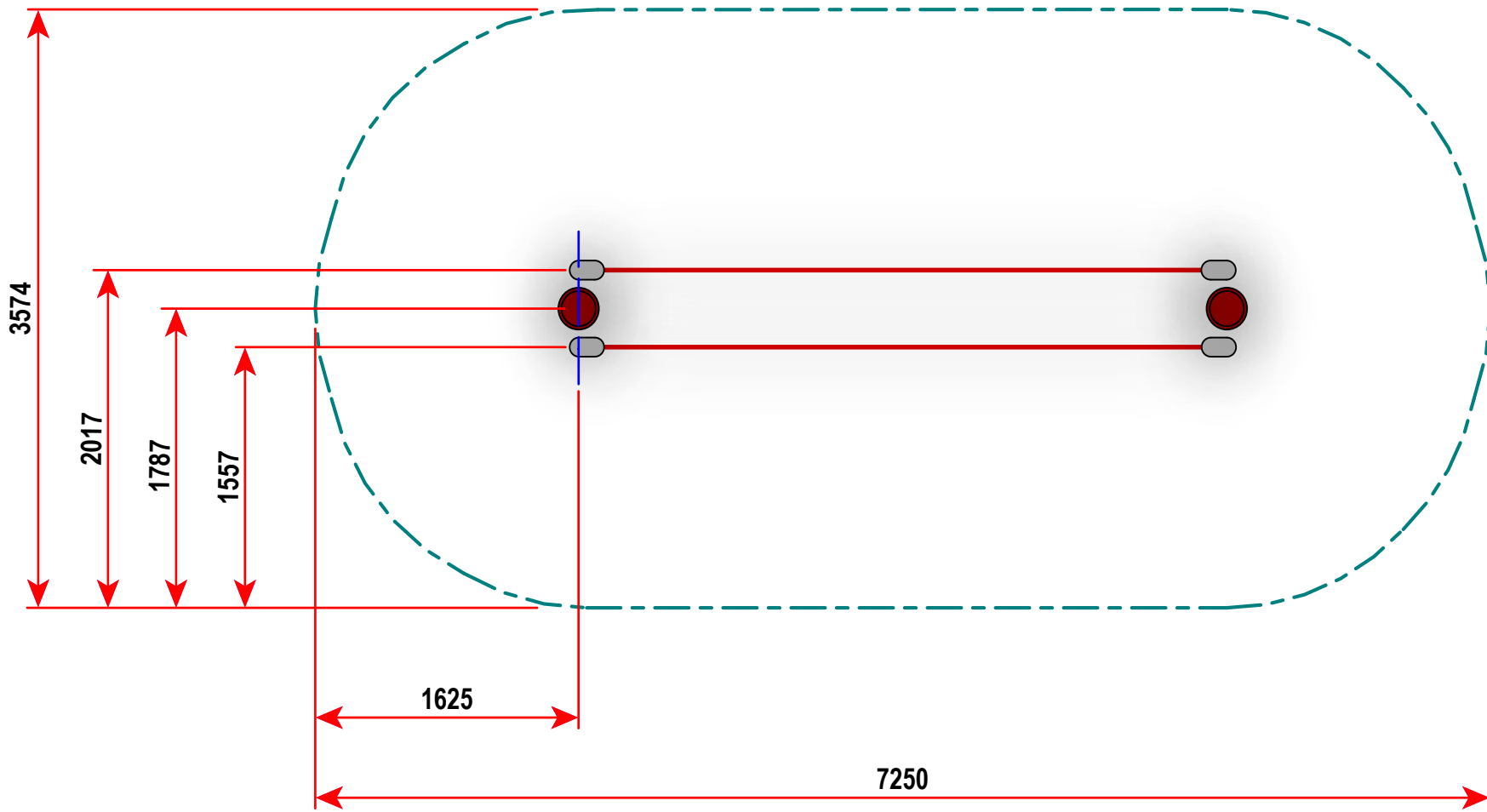
m²
10 x 10




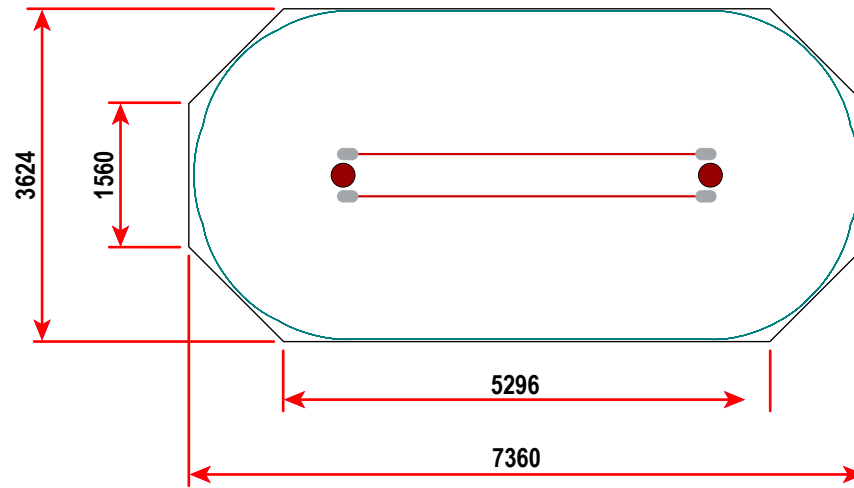
X 2 = T
T = 8 hr




EN1176
H=0.60m



 **144**
TYPE 5
Grassmat



 **144**
TYPE 3
Synthetic

